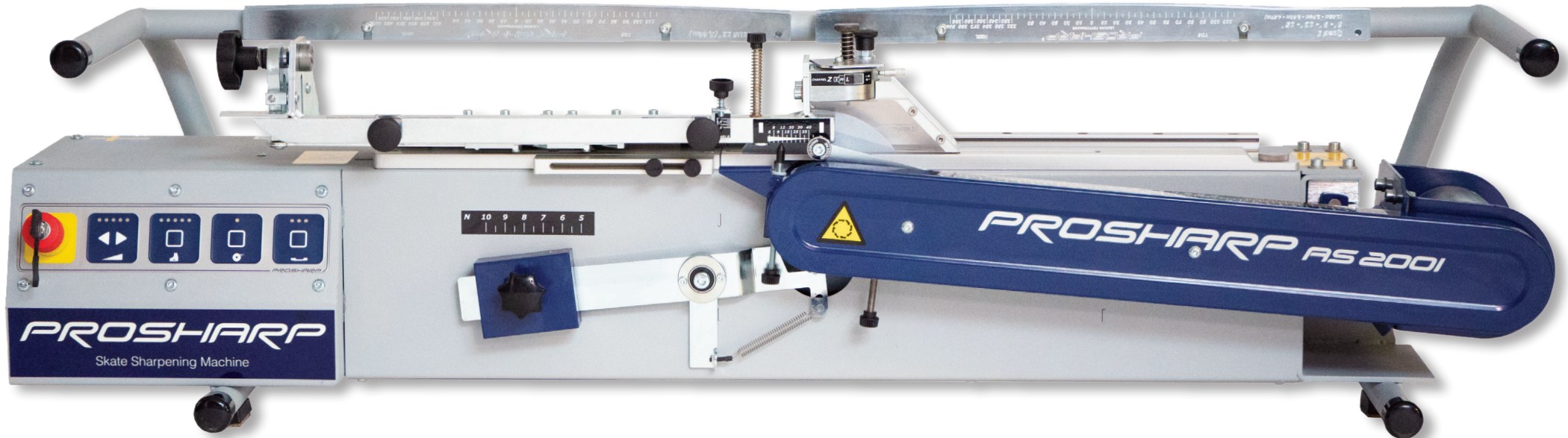


AS 2001 ALLPRO-SC

NEW
EASIER TO USE



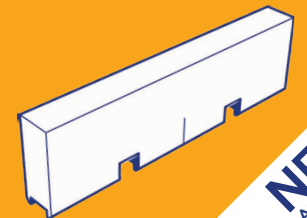
SELF-CENTERING CLAMP MECHANISM

NO NEED TO ADJUST FOR DIFFERENT BLADE THICKNESS

JUST CLAMP & SHARPEN

PROFILE 2 BLADES IN 1 GO

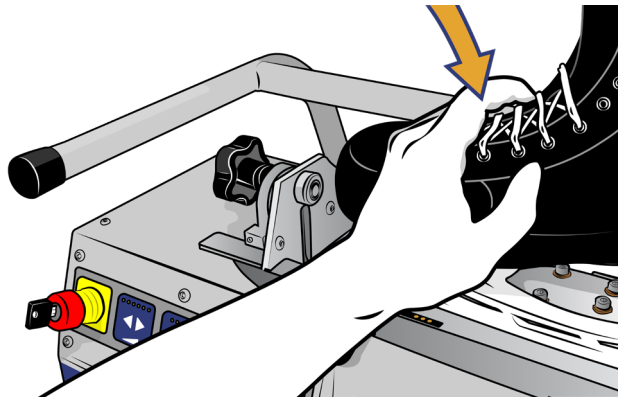
PROSHARP® TWIN BLADE HOLDER



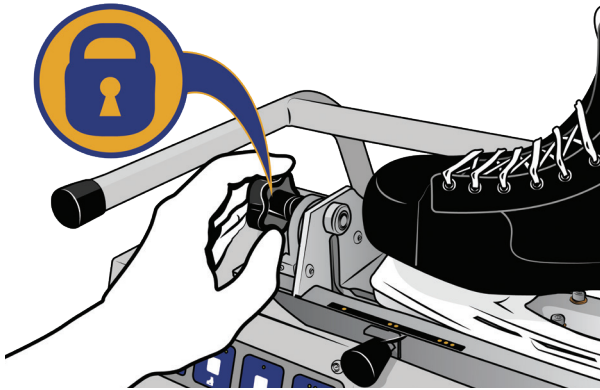
NEW ACCESSORY

Clamping with the self centering mechanism

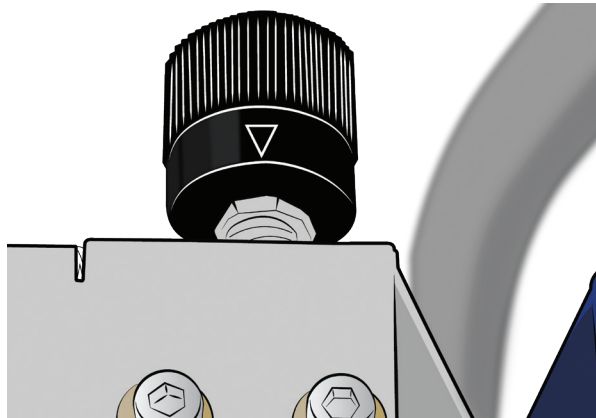
1 Place the skate or blade(s) between the clamp steels.



2 Clamp the skate or blade(s) by turning the knob in the front of the machine. Turn the knob until it locks the skate or blade(s) in place.



3 The knob formerly used for adjusting the blade thickness setting is now only used when a thicker sharpening wheel is used or when you need to micro adjust the sharpening wheel. If the standard sharpening wheel (6 mm) is used there is no need to adjust it.

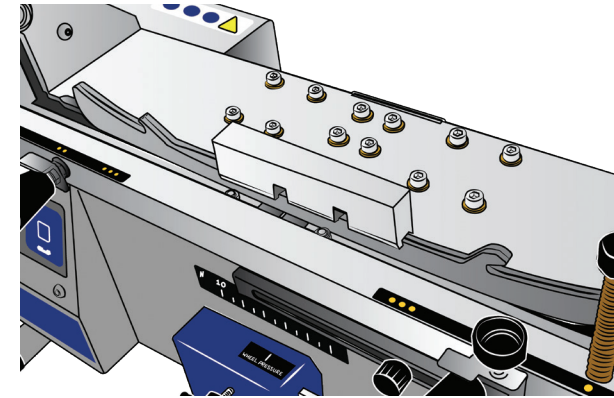


Profiling two blades at once

Place the two blades in the Prosharp® Twin Blade Holder. **1**



2 Place the Prosharp® Twin Blade Holder holding the two blades between the clamp steels. Clamp the blades using the clamp knob (see the instruction for clamping with the self centering mechanism).



The knob formerly used for adjusting the blade thickness setting is now only used when a thicker sharpening wheel is used or when you need to micro adjust the sharpening wheel. Change to a thicker sharpening wheel if the two blades are thicker than 3 mm each and adjust center alignment with the knob. **3**

